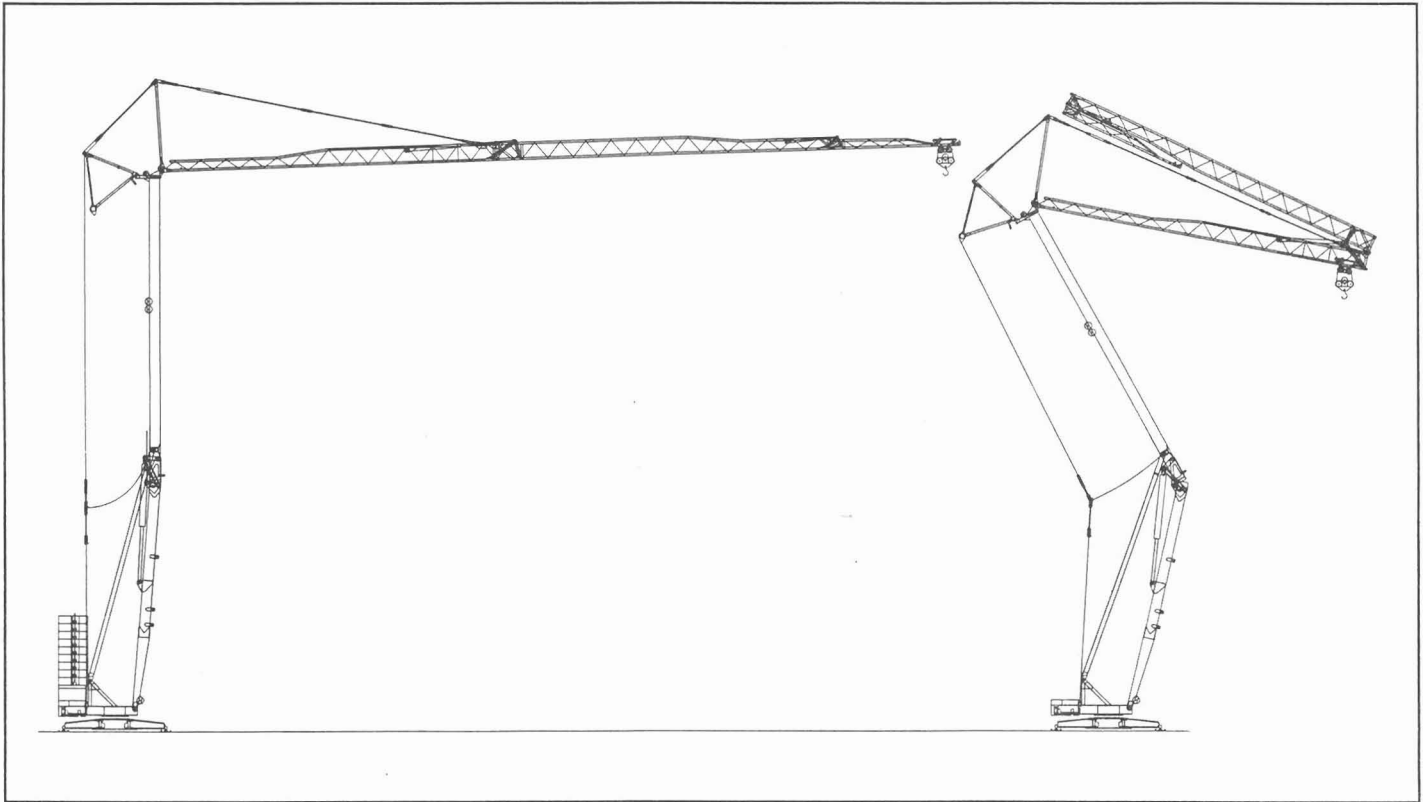


FM

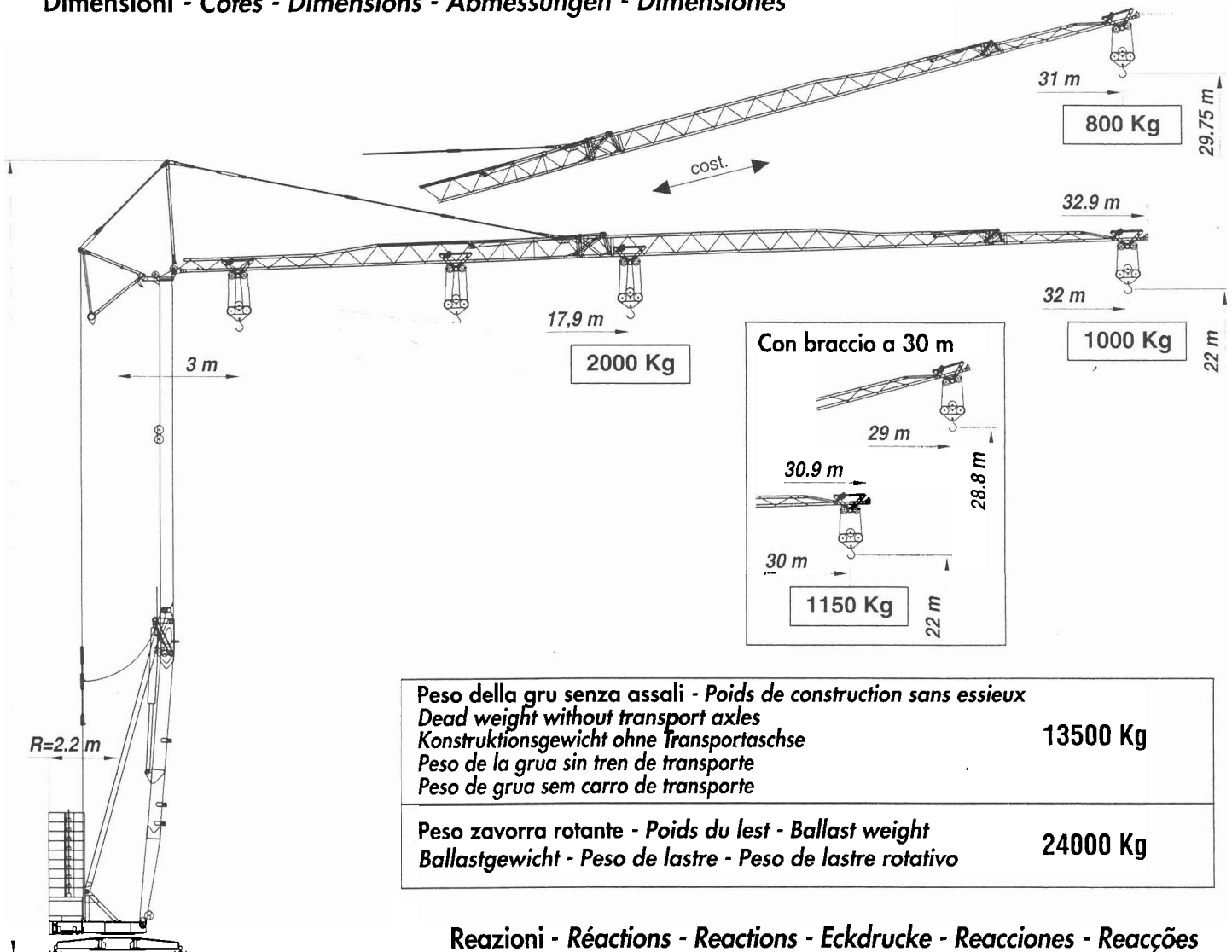


RB 1032I



GRU A MONTAGGIO RAPIDO
GRUE A MONTAGE RAPIDE
GRUA DE RAPIDO MONTAJE
GRUA DE MONTAGEM RAPIDA
QUICK SELFERECTING CRANE
HYDRAULISCHER SCHNELLMONTAGEKRAN

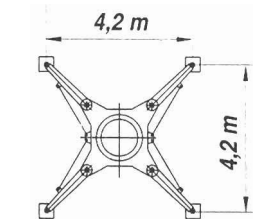
RB 1032I

Dimensioni - Cotés - Dimensions - Abmessungen - Dimensiones


Peso della gru senza assali - Poids de construction sans essieux Dead weight without transport axles Konstruktionsgewicht ohne Transportachse Peso de la grua sin tren de transporte Peso de grua sem carro de transporte	13500 Kg
Peso zavorra rotante - Poids du lest - Ballast weight Ballastgewicht - Peso de lastre - Peso de lastre rotativo	24000 Kg

Reazioni - Réactions - Reactions - Eckdrucke - Reacciones - Reacções

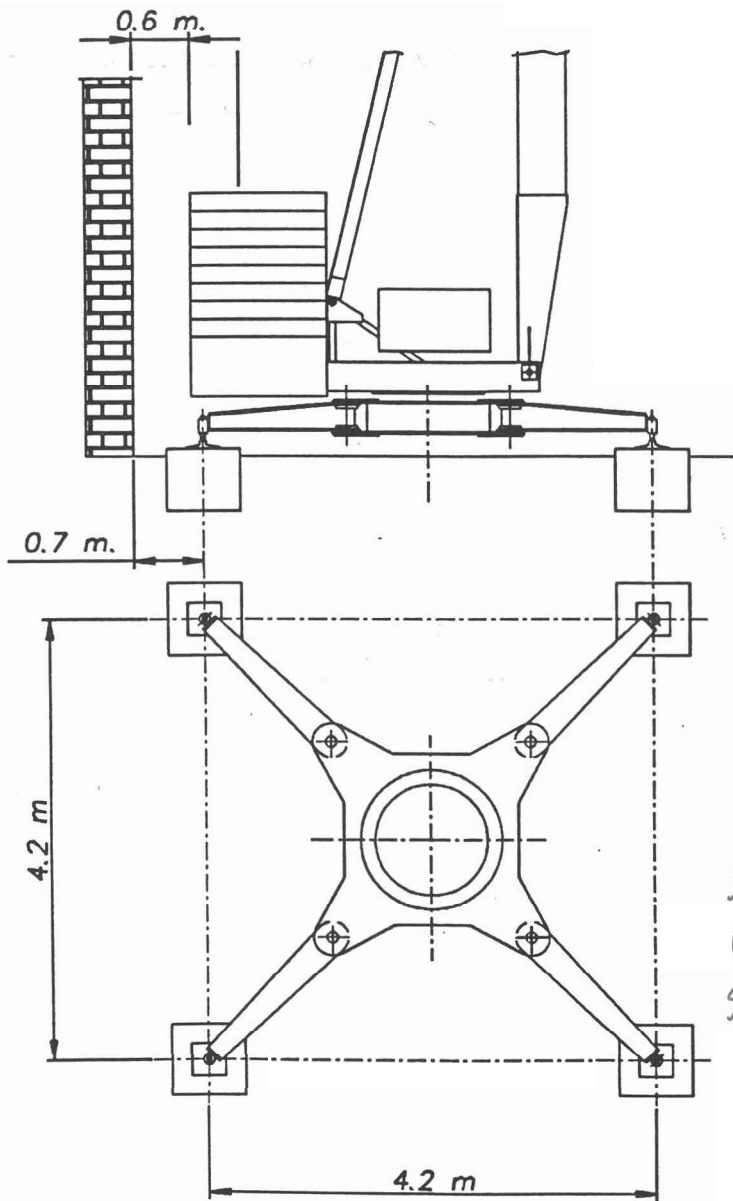
R1	● 20600 daN/Kg	■ 13000 daN/Kg
● In servizio	● En service	● In service
■ Fuori servizio	■ Hors service	■ Out of service
● In Betrieb	● En servicio	● Em serviço
■ Ausser Betrieb	■ Fuera de servicio	■ Fora de serviço


Curve di carico - Courbes de charge - Load diagrams - LastKurven - Curvas de cargas - Curvas de cargas

	Braccio impennato Flèche relevée - Luffing jib Ausleger in Steilstellung - Flecha izada - Braço empenado																																				
	800 Kg cost.																																				
	<table border="1"> <tr> <td>17.9</td><td>18</td><td>20</td><td>22</td><td>24</td><td>26</td><td>28</td><td>30</td><td>32</td><td></td><td>m</td> </tr> <tr> <td>2000</td><td>1990</td><td>1750</td><td>1560</td><td>1410</td><td>1280</td><td>1170</td><td>1080</td><td>1000</td><td></td><td>Kg</td> </tr> </table>										17.9	18	20	22	24	26	28	30	32		m	2000	1990	1750	1560	1410	1280	1170	1080	1000		Kg					
	17.9	18	20	22	24	26	28	30	32		m																										
2000	1990	1750	1560	1410	1280	1170	1080	1000		Kg																											
	<table border="1"> <tr> <td>18.84</td><td>20</td><td>22</td><td>24</td><td>26</td><td>28</td><td>30</td><td></td><td></td><td></td><td>m</td> </tr> <tr> <td>2000</td><td>1860</td><td>1660</td><td>1500</td><td>1360</td><td>1240</td><td>1150</td><td></td><td></td><td></td><td>Kg</td> </tr> </table>										18.84	20	22	24	26	28	30				m	2000	1860	1660	1500	1360	1240	1150				Kg					
	18.84	20	22	24	26	28	30				m																										
2000	1860	1660	1500	1360	1240	1150				Kg																											
	<table border="1"> <tr> <td>10</td><td>12</td><td>14</td><td>16</td><td>18</td><td>20</td><td>22</td><td>24</td><td>26</td><td>28</td><td>30</td><td>32</td><td>m</td> </tr> <tr> <td>4000</td><td>3180</td><td>2630</td><td>2230</td><td>1930</td><td>1690</td><td>1510</td><td>1350</td><td>1230</td><td>1120</td><td>1030</td><td>950</td><td>Kg</td> </tr> </table>										10	12	14	16	18	20	22	24	26	28	30	32	m	4000	3180	2630	2230	1930	1690	1510	1350	1230	1120	1030	950	Kg	
	10	12	14	16	18	20	22	24	26	28	30	32	m																								
4000	3180	2630	2230	1930	1690	1510	1350	1230	1120	1030	950	Kg																									
	<table border="1"> <tr> <td>10.5</td><td>12</td><td>14</td><td>16</td><td>18</td><td>20</td><td>22</td><td>24</td><td>26</td><td>28</td><td>30</td><td></td><td>m</td> </tr> <tr> <td>4000</td><td>3380</td><td>2790</td><td>2370</td><td>2050</td><td>1800</td><td>1600</td><td>1440</td><td>1310</td><td>1190</td><td>1100</td><td></td><td>Kg</td> </tr> </table>										10.5	12	14	16	18	20	22	24	26	28	30		m	4000	3380	2790	2370	2050	1800	1600	1440	1310	1190	1100		Kg	
	10.5	12	14	16	18	20	22	24	26	28	30		m																								
4000	3380	2790	2370	2050	1800	1600	1440	1310	1190	1100		Kg																									

Le dimensioni dei plinti devono essere opportunamente studiate in funzione della resistenza del terreno tenendo conto delle reazioni max su ogni piede:

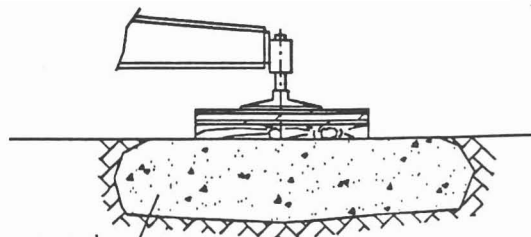
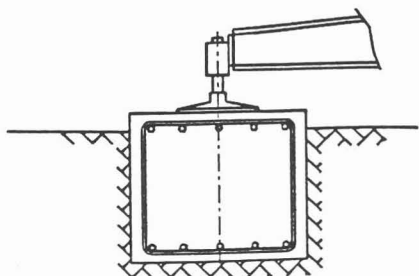
Reazione max su ogni piede d'appoggio	
In servizio con vento	fuori servizio
20600 Kg(daN)	13000 Kg(daN)



x EVENTUALE
PLATEA
MT. 5,5 x 5,5
SPESORE cm. 40
CON RETE ELET. SUD.
SOPRA e SOTTO

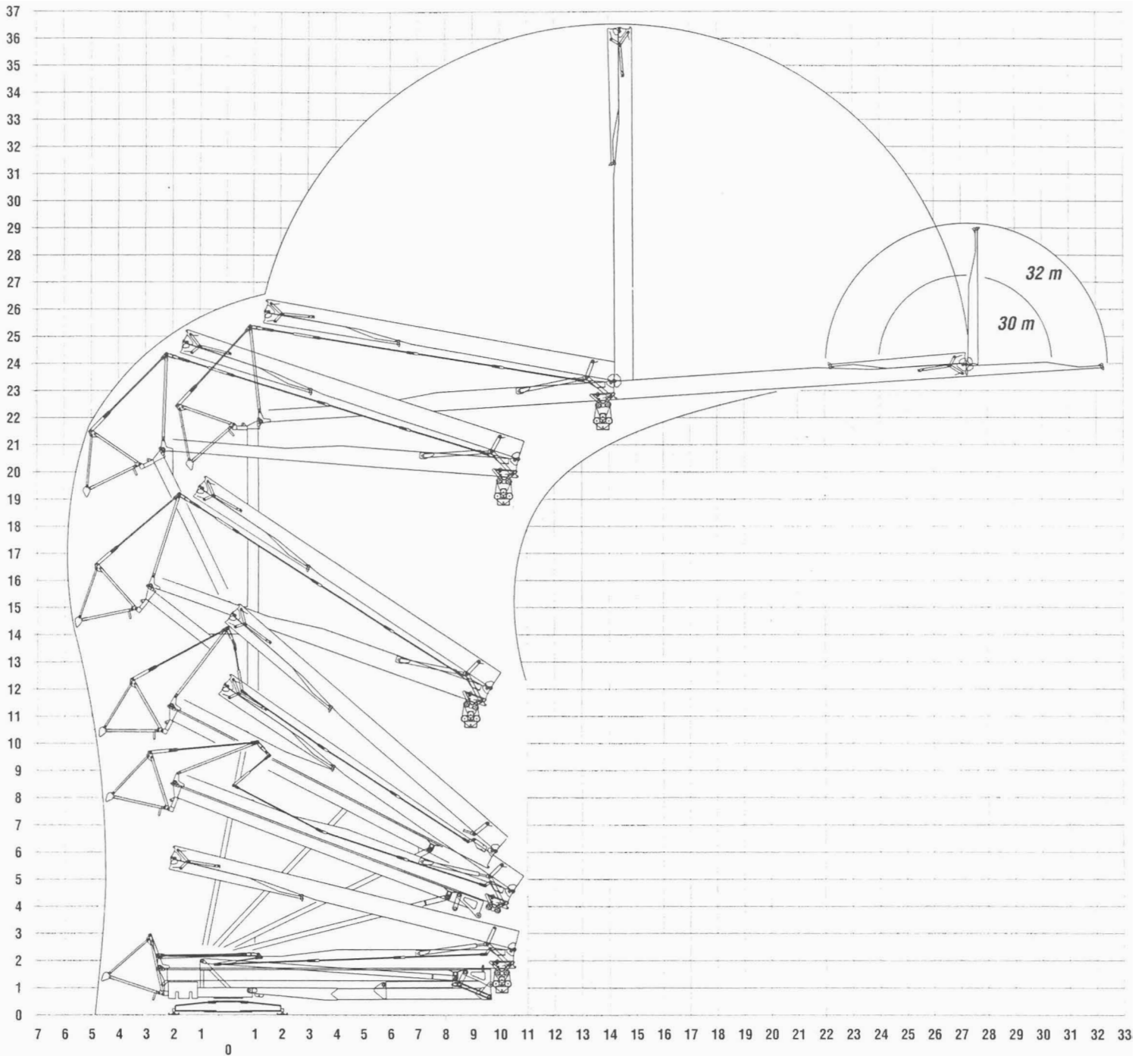
Appoggio su plinto in C.A.

Esempio di appoggio su traverse in legno duro

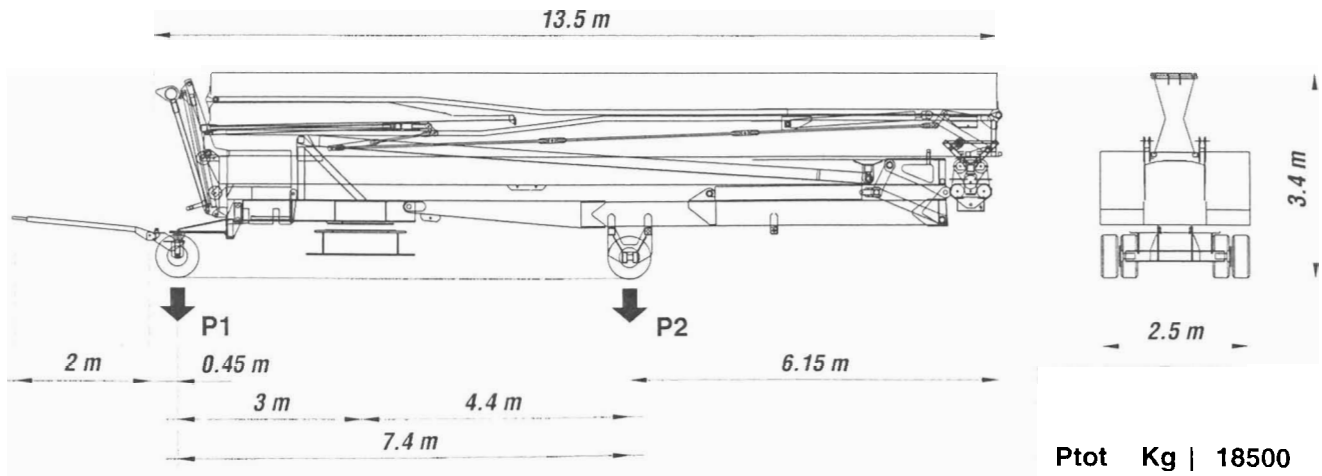


Pietrisco spezzato
oppure getto in C.A.

Montaggio - Montage - Erection - Montage - Montaje - Montagem



Trasporto - Transport - Transport - Transport - Transporte - Transporte



Ptot Kg | 18500

**Meccanismi - Mecanismos - Mechanisms - Antriebe
Mecanismos - Mecanismos**

			<i>m / min</i>	<i>Kg</i>	<i>KW</i>	
Sollevamento <i>Levage - Hoisting</i> <i>Heben - Elevaciòn</i> <i>Elevaçãõ</i>			1 ^a	5	2000	14/12/3 HP 10.3/8.8/2.2 KW
			2 ^a	21	2000	
			3 ^a	42	1000	
			1 ^a	2.5	4000	
			2 ^a	10.5	4000	
			3 ^a	21	2000	
Distribuzione <i>Distribution - Trolleying</i> <i>Katzfahren - Distribucion</i> <i>Carrinho</i>			1 ^a	20	800 cos.	3/1.5 HP 2.2/1.1 KW
			1 ^a	20	4000	
			2 ^a	40	2000	
Orientation - Slewing <i>Schwenken - Orientaciòn</i>			1 ^a	0	0.8	giri / min tr / min U / min rpm 3 HP 2.2 KW

Rete elettrica necessaria <i>Réseau - Mains supply</i> <i>Netzstrom - Red - Rede electrica</i>	380 V 50 Hz
---	------------------------------

Potenza elettrica necessaria <i>Puissance électrique nécessaire - Necessary electric power</i> <i>Anschlusswert - Potencia electrica necesaria - Potencia electrica necessaria</i>	24 KVA
---	---------------

Conforme alla direttiva CEE 87 / 405 sul livello acustico <i>Conforme à la directive CEE 87 / 405 sur le niveau acoustique</i> <i>In compliance with the EEC 87 / 405 instruction on noise level</i> <i>Germäss EWG-Richtlinie 87 / 405 über Schall-Leistungspegel</i> <i>Conforme con la direttiva CEE 87 / 405 sobre el nivel acustico</i> <i>Conforme a directiva CEE 87/405 sobre nivel acustico</i>	DIN 15018
--	----------------------------